

Closed Coupled Water Closet

PRODUCT FEATURES

- Closed coupled low capacity dual flushing system water closet
- Dual Flush system to allow option for appropriate water usage
- Chrome plated push type button
- Universal height
- Fully glazed trap-way

FLUSHING TYPE

- Wash down

PRODUCT SPECIFICATIONS

- Dimension : 650 (L) x 370 (W) x 750 (H) mm
- Rough-in : P-Trap 185mm
- : S-Trap 150mm to 285mm
- Material : Vitreous China
- Water Supply Connection : G 1/2"
- Minimum Water Pressure : 55 kPa
- Seat and Cover : FT-SC1058PS (PP)

DISCHARGE VOLUME

- Full Flush : 4.5 – 6 Litre per flush
- Reduced Flush : 3.0 Litre per flush

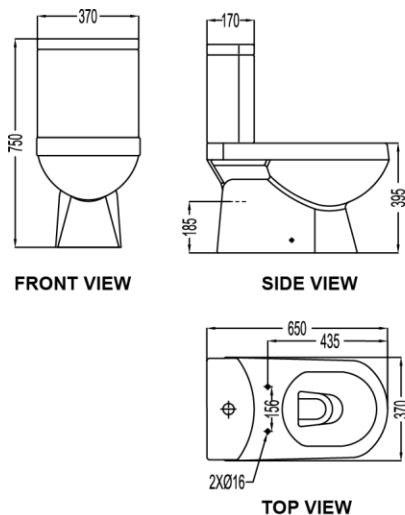


Dual Flush Mechanism



Anti-Bacterial Technology

TECHNICAL DRAWING



INSTALLATION DETAILS

